

PRODUCT NUMBER
93690-YXX-XXLF

PLATING, SEE TABLE

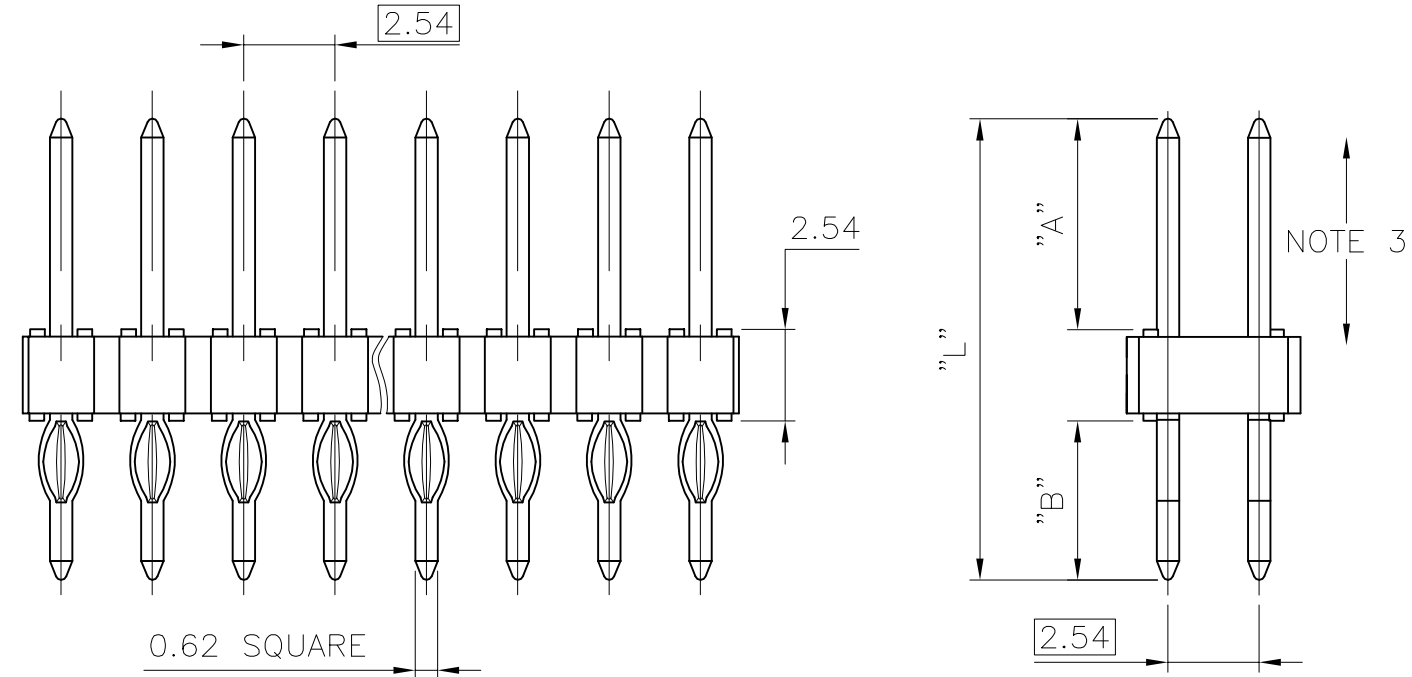
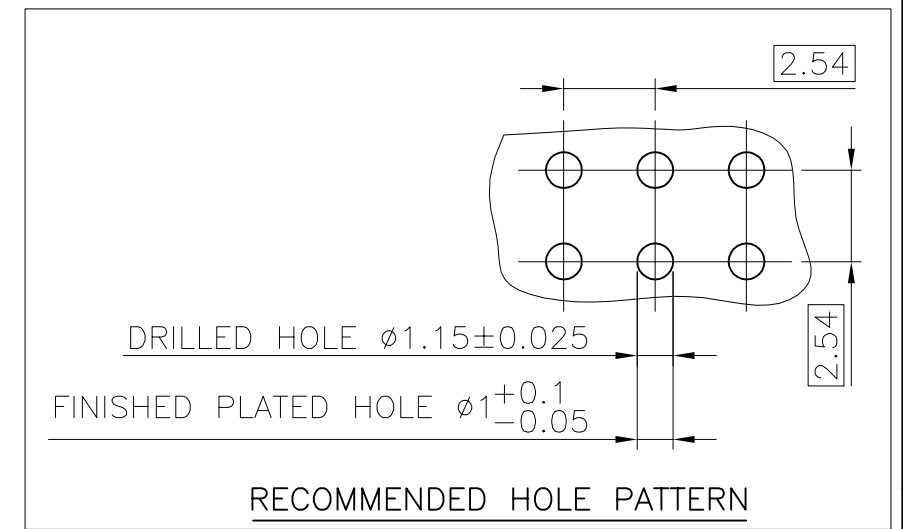
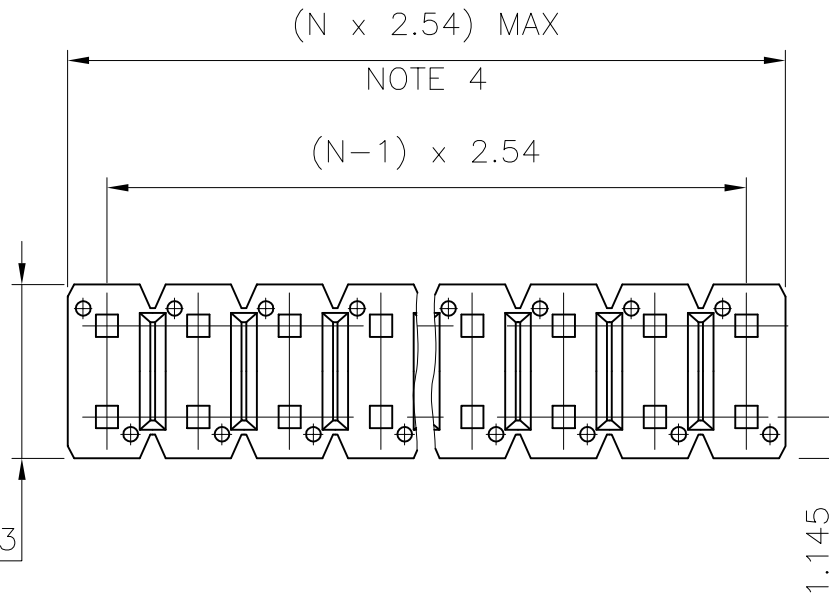
LEAD FREE OPTION
SEE NOTE 6 & 7

TOTAL NB OF POS
04 TO 72

PIN STYLE	DIM "A" REF	DIM "B" ±0.3	DIM "L" REF
01	7.5	4.7	14.78
02	10.14	4.7	17.40
03	5.68	4.7	12.83
04	14.89	4.7	22.15
05	8.3	4.7	15.44
06	6.8	3.6	12.9

NOTES:

- HOUSING MAT'L : HIGH TEMPERATURE THERMOPLASTIC. UL94V-0 COLOR: BLACK
- PIN MATERIAL : PHOSPHOR BRONZE
- 9N MIN RETENTION IN EITHER DIRECTION
- TO DETERMINE DIMENSIONS :
N = NUMBER OF POSITIONS PER ROW
EXAMPLE : 8 POS PER ROW, $N \times 2.54 = 20.32\text{mm}$
- STANDARD PACKAGING IN POLYBAGS
- FOR LEAD FREE PART NUMBER ADD "LF" SUFFIX AT THE END OF PART NUMBER
- "LF" MEANS THAT THE PRODUCT IS RoHS COMPLIANT THEN MEETS EUROPEAN UNION DIRECTIVES AND OTHER COUNTRY REGULATION AS DESCRIBED IN GS-22-008



XXXXX-4XXLF	3.05µm TIN OVER 1.27µm Ni MIN	
XXXXX-1XXLF	0.76µm GOLD/GXT OVER 1.27µm Ni MIN	1.0µm TIN OVER 1.27µm
XXXXX-4XX	3.05µm TIN-LEAD OVER 1.27µm Ni MIN	
XXXXX-1XX	0.76µm GOLD/GXT OVER 1.27µm Ni MIN	1.0µm TIN-LEAD OVER 1.27µm MIN
PLATING NUMBER	CONTACT AREA	PRESS FIT TAIL AREA

mat'l. code				surface	tolerance	projection	product family
SEE NOTE				ISO 1302	ISO 406 ISO 1101		BSTIK
ltr	ecn no	dr	date	tolerances unless	otherwise specified	mm	title
H	F06-0196	LMU	06.06.20	angles	.x ±0.30		HDR PRESS FIT DOUBLE ROW
J	F07-0142	LMU	07.02.23	linear	.xx ±0.15		
K	F08-0148	RTR	08.03.31		.xxx ±0.05		
E	F10190	LMU	01.04.09	dr	MULIN.L	99.06.30	dwg no
F	F20116	LMU	02.01.15	engr	COMPAGNON J	99.06.30	sheet 1 of 1
G	F05-0251	LMU	05.09.15	chr	NIZZI.P	99.06.30	size
				appd	JM.C	96.05.06	93690
							A3
sheet index	revision sheet						type
							CUSTOMER Drawing